

Battery Compartment Security Cover Installation Instructions

Battery Compartment Security Cover – Materials List		
Alpha P/N	Description	Qty
607-732-V1-001	Door, lift off, battery compartment	1
607-733-V1-001	Bracket, shelf support, lift off door, battery compartment	1
630-062-12	Scrw, mach (flathead), #10-32x1/2"	2
651-001-19	Tie, cbl, 3-1/2" L	1
746-865-C0-001	Insti instr, lift off dr, w/ wld plt	1

Weld Plate Kit – Materials List		
Alpha P/N	Description	Qty
607-734-V1-001	Plate, weld, lift off battery door	1
636-105-12	Rivet, POP, 0.125"DIA, 0.126" - 0.250"GRP, SST/SST	2

TOOLS REQUIRED:

- #2 Phillips screwdriver
- Personal Protective Equipment
- 5/16" Torque Wrench and Security Screw Key (*only used for install method 1*)
- Welding equipment suitable for AISI 1018 CRS (*only used for install method 2*)
- Rivet Tool (*only used with weld plate kit and install method 2*)

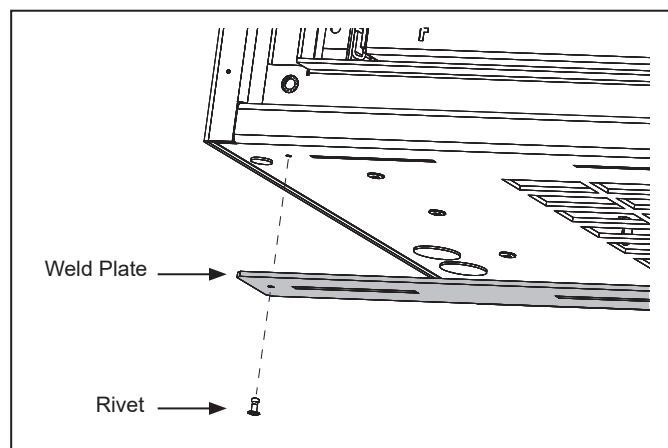


WARNING! GENERAL AND ELECTRICAL HAZARD

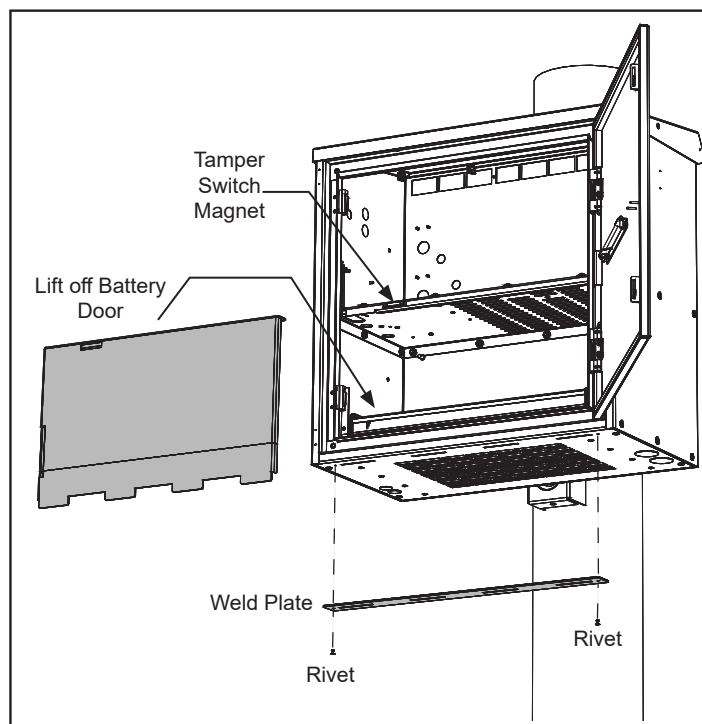
- Exercise **EXTREME CAUTION** when using tools on the enclosure and working around batteries.
- **Lead-acid batteries** contain dangerous voltages, currents and corrosive material.
- **Only authorized personnel** are to perform installation, maintenance, service or replacement of the enclosure, power supply or batteries.

INSTALLATION PROCEDURE:

1. Remove the Tamper Switch Magnet.
2. Attach the optional weld plate to bottom of cabinet with supplied rivets.



Hardware Stackup Close Up



Overall View

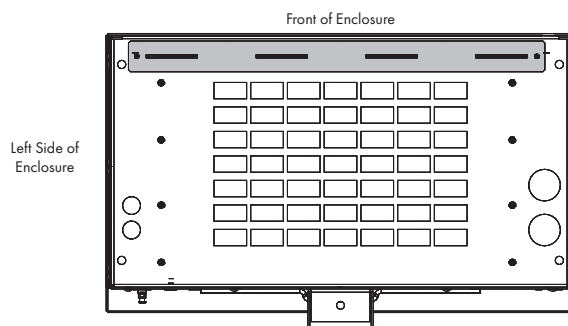


Fig. 1, View from beneath, PWE Enclosure and Weld Plate

⚠️ ⚡ WARNING! ELECTRICAL HAZARD

If the security cover is being installed in an existing system, remove the batteries (with batteries disconnected, inverter functionality is not available) before installing the shelf support bracket to reduce the chance of the bracket causing a short circuit by coming into contact with the battery terminals.

Replace the batteries only after the bracket is securely attached to the shelf.

If the security cover is being installed in a new system, install the bracket before loading the batteries into the enclosure.

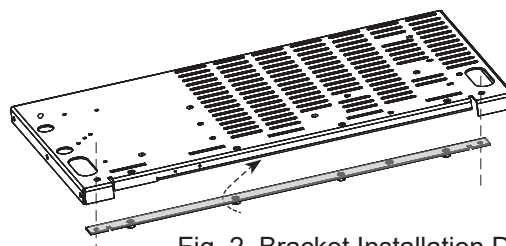


Fig. 2, Bracket Installation Detail

INSTALLATION PROCEDURE, continued:

3. Attach the shelf support bracket under the front edge of the upper shelf with the two 10-32 x 1/2" screws. Verify the notches on the bracket align with the existing notches of the shelf.
4. After attaching the support bracket, loading the batteries and connecting the battery cables, install the battery door by inserting the tabs of the battery door through the slots in the weld plate. Replace the Tamper Switch Magnet [1].
5. At this time, the installer may use one or both of the optional methods of securing the battery door to the enclosure.

Method 1:

Secure the battery door to the upper tray (4 places) by means of an Alpha Security Screw (p/n 647-189-11) or 5/16" - 18 x .75 (or equivalent) security screw. For optimal security torque the bolts to 17.63 Nm (13 ft/lbs).

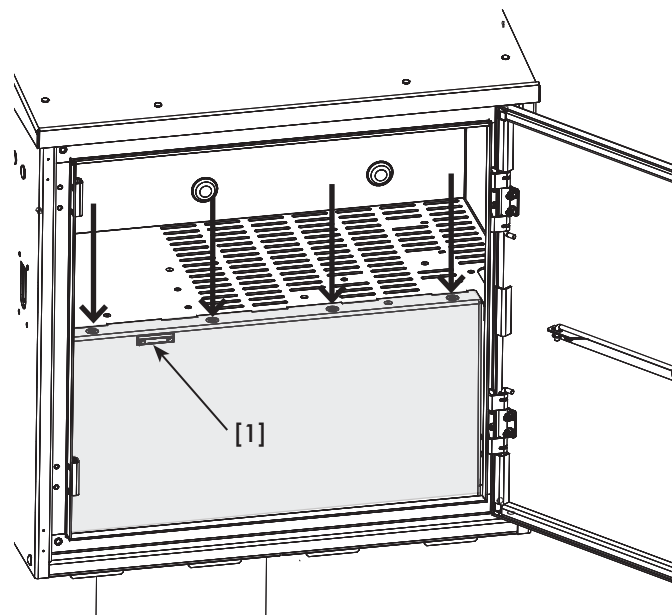


Fig. 3, Fastening the Battery Door

Method 2:

Weld a continuous bead along either side of the tabs at the bottom of the enclosure to join the tabs to the weld plate (Fig. 4). After completing the welding procedure, protect the unpainted area by applying a corrosion-inhibiting coating.

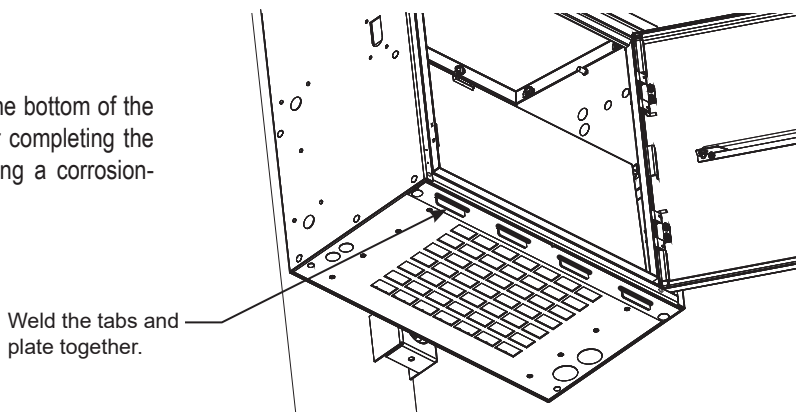


Fig. 4, Weld Seam Location

Worldwide Corporate Offices

North America

Tel: +1 360 647 2360
Fax: +1 360 671 4936

Europe

Tel: +49 9122 79889 0
Fax: +49 9122 79889 21

Latin America

Tel: +561 792.9651
Fax: +561 792.7157

Asia Pacific

Tel: +852 2736.8663
Fax: +852 2199.7988