

## Battery Range Summary



The EnerSys® PowerSafe® SBS XL range of valve regulated lead acid front terminal monoblocs has been designed to deliver an exceptional performance and outstanding long life in stable grid float applications, including at high operating temperatures.

PowerSafe SBS XL's extended life results in reduced battery replacements during the life of power infrastructures to ultimately provide an industry-leading, low total cost of ownership.

Using EnerSys' latest thin plate pure technology (TPPL) and manufactured on a state-of-the-art platform, the SBS XL front terminal battery series is ideally suited for operation at high temperatures, particularly in the telecom industry. The ever-increasing transmission of digital data inevitably forces telecom companies to add more equipment in already highly dense communication rooms. The extra heat generated increases the demand on cooling which invariably places operators under further financial burden. The outstanding 10 year design life at 35°C of SBS XL front terminal blocs gives operators the freedom to reduce both capital costs by investing in cheaper cooling methods (such as free cooling) as well as operating costs by raising air conditioning set points.

At regular temperature operation, the outstanding design life of the SBS XL 80F, SBS 80F-FT, SBS 150F-FT and SBS 170F-FT blocs takes EnerSys' offering to a new level. Stakeholders and end users, in particular in the Utility and telecom market segments, finally have batteries that combine classic front terminal designs for ease of installation and maintenance with a very long float life, together with the multiple, proven benefits of our TPPL technology. High energy density for compact installation footprint, exceptional storage life and fast recharge are just some of those advantages, to name but a few.

### Features & Benefits

- Pure lead technology for longer life operation
- 20 year design life at 20°C – 10 year design life at 35°C
- Wide operating temperature range of -40°C to +65°C
- Developed for stable grid float applications
- Classic industry-standard footprints
- Front terminal design for ease of installation and maintenance
- 24 months storage life at 20°C for maximum flexibility in project deployment

## Construction

- Proven Thin Plate Pure Lead (TPPL) grid technology for optimised corrosion resistance at high operating temperatures
- Negative plates provide perfect balance with positive plates to ensure optimum recombination efficiency
- Superior quality microporous glass mat separator with high absorption and stability
- Containers and lids in UL94 V-0 rated flame retardant PC/ABS material, highly resistant to elevated temperatures, shocks and vibrations
- High grade dilute sulphuric acid for extended float life
- Proven high integrity, leak resistant, dual-seal terminal design
- Self-regulating pressure relief valves prevent ingress of atmospheric oxygen
- Integral flame arrestors for increased operational safety
- Robust rope handles for ease of handling

## Installation & Operation

- PowerSafe® SBS XL 12V front terminal blocs are designed for operation in stable grid float applications
- PowerSafe® SBS XL monoblocs are designed for installation in cabinets or on stands, close to the point of use. A separate battery room is not necessary
- Blocs should be installed on their base or horizontally on their longest sides
- Recommended float charge voltage: 2.29Vpc at 20°C, 2.275Vpc at 25°C
- Wide operating temperature range: -40°C to +65°C
- 24 months shelf life at 20°C (12 months at 30°C)
- Low maintenance: no water addition required

## Standards

- Designed to be compliant with IEC 60896-21/22
- Classified as "Very Long Life" according to Eurobat guide
- UL recognised component
- Batteries must be installed in accordance with IEC 62485-2 and local/national regulations
- Classified as non-spillable battery and approved as non-hazardous cargo for land, sea and air transportation in accordance with the requirements of ADR / RID, IMDG and IATA respectively
- The management systems governing the manufacture of PowerSafe SBS XL front terminal products are ISO 9001, ISO 14001 and OHSAS 18001 certified

## General Specifications

Battery Type	Nominal Voltage (V)	Nominal Capacity (Ah)		Nominal Dimensions (mm)			Typical Weight (Kg)	Short Circuit Current (A) <sup>(3)</sup>	Internal Resistance (mΩ) <sup>(3)</sup>	Terminals
		C <sub>10</sub> /1.80Vpc @ 20°C	C <sub>10</sub> /1.80Vpc @ 35°C	Length	Width	Height (over insulation)				
SBS XL 80F <sup>(1)</sup>	12	80	82	395	105	264	26.7	1700	7.7	2 x M8 female
SBS XL 80F-FT <sup>(1)</sup>	12	80	82	417	105	256	26.7	1700	7.7	2 x M6 male
SBS XL 150F-FT <sup>(2)</sup>	12	150	155	561	125	283	50.7	2950	4.4	2 x M6 male
SBS XL 170F-FT <sup>(2)</sup>	12	170	175	561	125	316	58.0	4100	3.0	2 x M6 male

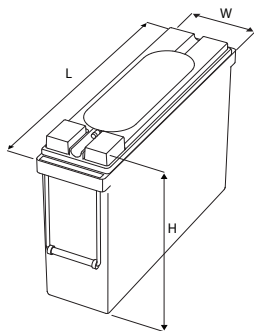
Notes:

<sup>(1)</sup> Manifold built-in as standard

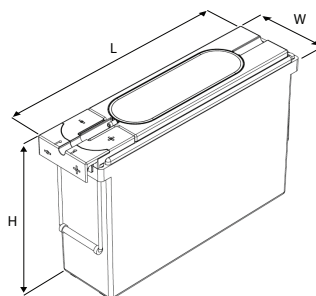
<sup>(2)</sup> Manifold available as an option (increases product height by 12mm)

<sup>(3)</sup> Figures obtained via IEC method

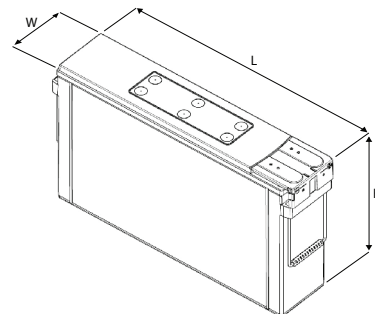
## Outline Drawings



SBS XL 80F



SBS XL 80F-FT



SBS XL 150F-FT and SBS XL 170F-FT



**EnerSys World Headquarters**  
2366 Bernville Road, Reading,  
PA 19605, USA  
Tel: +1-610-208-1991  
+1-800-538-3627

**EnerSys EMEA**  
EH Europe GmbH,  
Baarerstrasse 18,  
6300 Zug  
Switzerland

**EnerSys Asia**  
152 Beach Road,  
Gateway East Building #11-08,  
Singapore 189721  
Tel: +65 6416 4800

Contact: