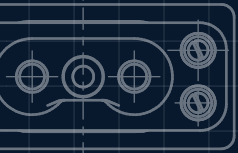




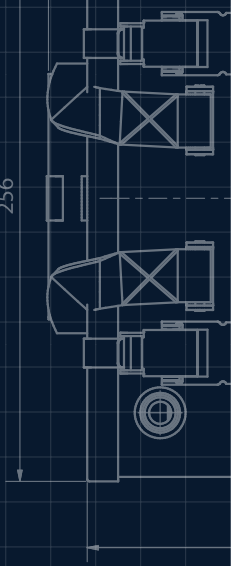
EXTRA LOW  
MAINTENANCE

Powering your fleet  
for less...





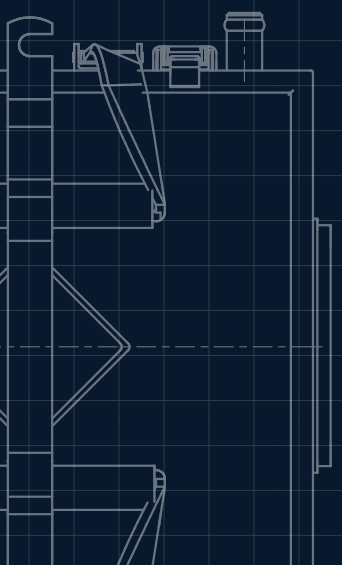
256



“Trusted  
by fleet  
operators  
for over 100  
years.”

Powering your  
fleet with...

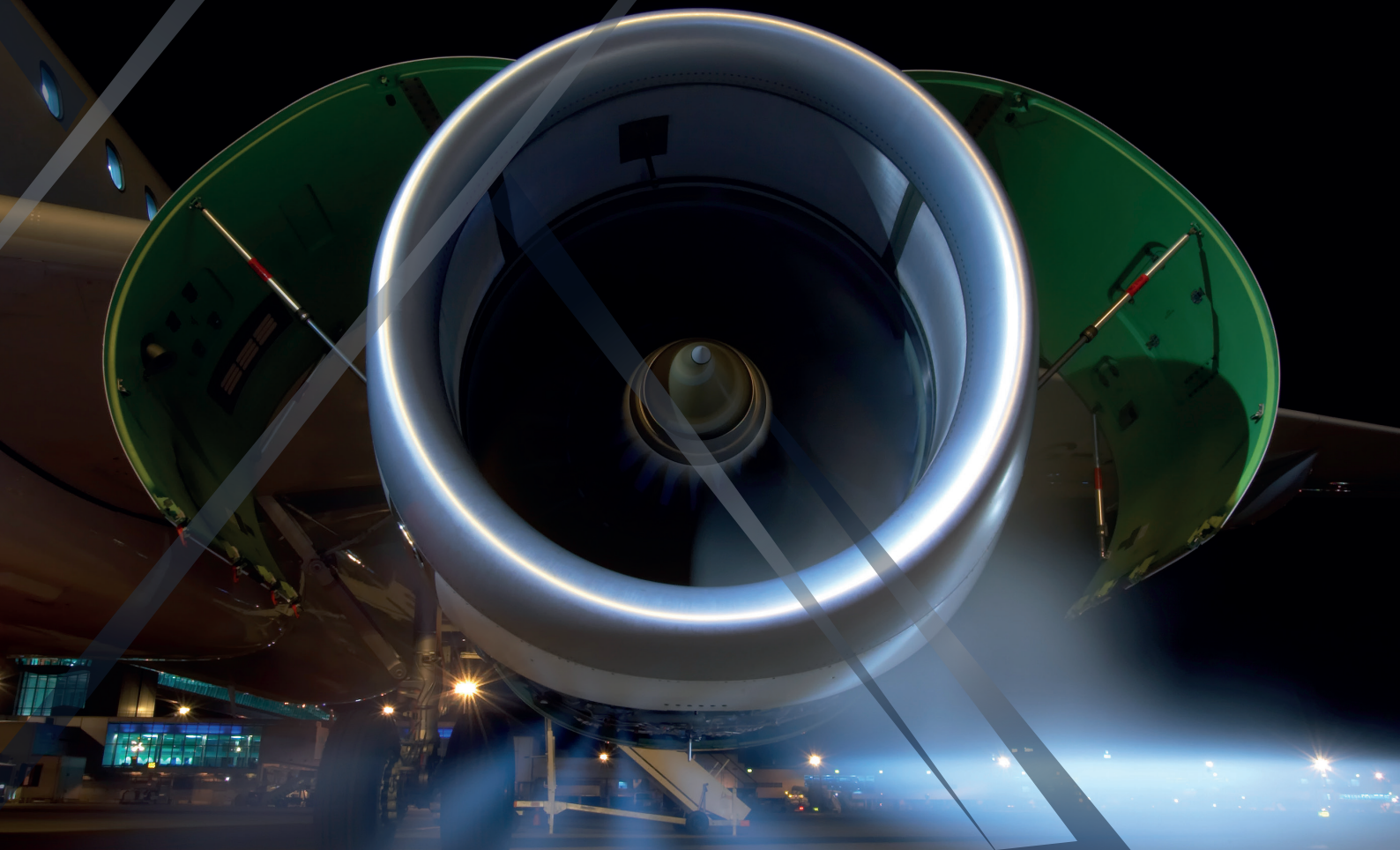
High-quality, EASA  
approved, safe and  
reliable batteries.



**Powering your fleet  
for less...**

Airlines and Maintenance Repair Organisations (MRO) alike are facing the twin challenges of spiralling operating costs and increased competition. The Hawker XLM battery is on wing for longer, reducing the maintenance burden and driving down your Total Cost of Ownership (TCO).

**“Better  
batteries,  
better  
business.”**




A technician in a blue uniform is working on an aircraft in a hangar. The technician is holding a small tool or component, and the scene is illuminated by bright overhead lights, creating a high-contrast, blue-tinted environment. The background shows the structural elements of the aircraft and the hangar.

# “Cut the cost of battery maintenance by 50%”

## Fit, form and function replacement

Hawker XLM batteries are made with an identical footprint to the original battery equipment, so there is no change to fit, form or function. Drop in as a direct replacement and deal with fewer fitting costs.



## Extended maintenance intervals

Extend your schedule maintenance intervals with Hawker XLM batteries. Reduced water consumption and greater energy increasing your scheduled maintenance intervals to 12 months.

**“Extend your service intervals significantly”**



## Reduced weight

Every kilogram counts. Facilitate fuel savings by using Hawker XLM batteries which are lighter than their OEM equivalents.

“Save 1kg and save \$168 in fuel cost per year”

## Longer life

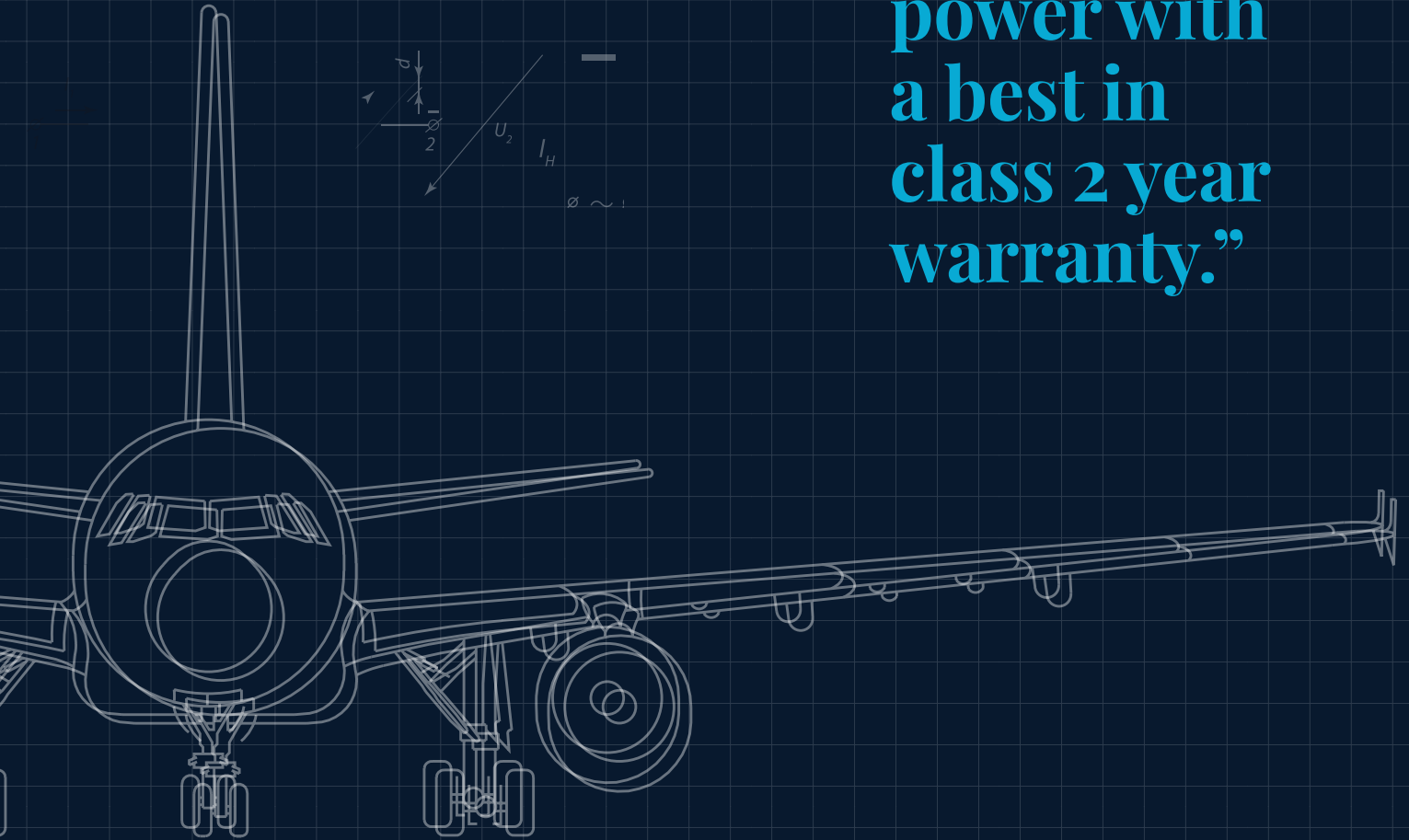
Keep your fleet in the air for longer with Hawker's XLM batteries. Our Plastic Bonded Negative (PBN) delivers world-beating operational life of up to 10 years.

**“Proven  
longevity:  
100,000  
operating  
hours  
without  
failure”**

## Equipped for continuity

Hawker XLM batteries are designed to operate with existing Part-145 test equipment, providing you and your maintenance teams with a coherent continuity.

**“Safe, reliable power with a best in class 2 year warranty.”**





EncSys Advanced Systems  
Building F4  
Culham Science Centre  
Abingdon  
Oxfordshire  
OX14 3ED | UK

[hawkerxlm.com](http://hawkerxlm.com)

